



SIMULATION PRE-INSTALLATION GUIDELINES

CONTRACTOR REQUIREMENTS FOR ROOM PREPARATION

TABLE OF CONTENTS

INTRODUCTION	1
COMPONENTS-AT-A-GLANCE	2
SPACE DIMENSIONS	3
BACK WALL ASSESSMENT	4
PROJECTOR MOUNTING (CEILING)	5
PROJECTOR MOUNTING (SHELF)	6
PROJECTOR ELECTRICAL	7
CONDUIT PLACEMENT & INSTALLATION	8
COMPUTER ELECTRICAL	9
CLIENT / CONTRACTOR CHECKLIST	10

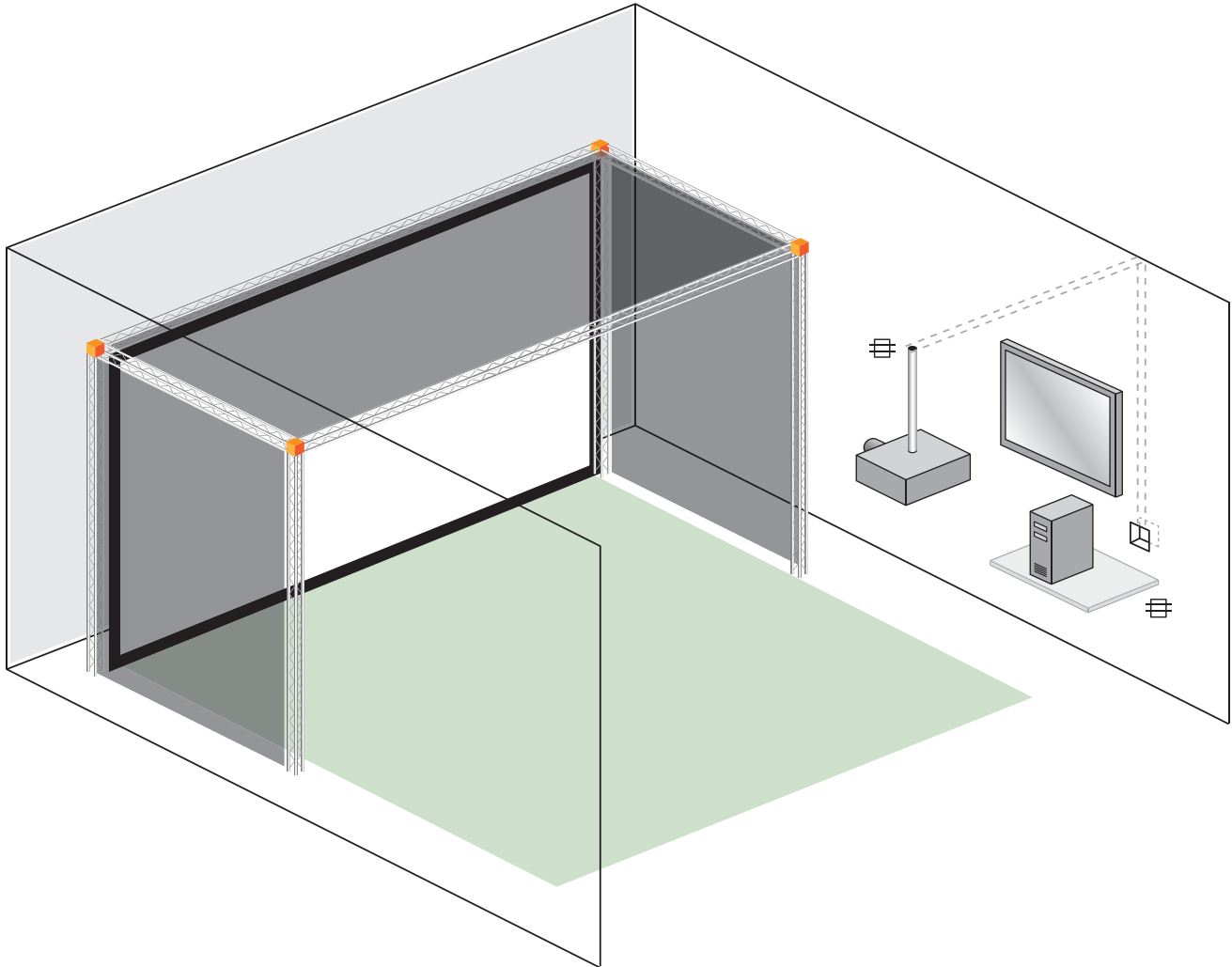


INSURING A SUCCESSFUL SIMULATION INSTALLATION

This document is designed to provide a simple, visual overview of the key components necessary for completion in the designated simulation area BEFORE the installation of Foresight Sports Performance Simulator.

Please provide this document to the contractor(s) responsible for all preparatory work that will be completed prior to the installation of the Foresight Sports Performance Simulator.

ROOM COMPONENTS AT-A-GLANCE

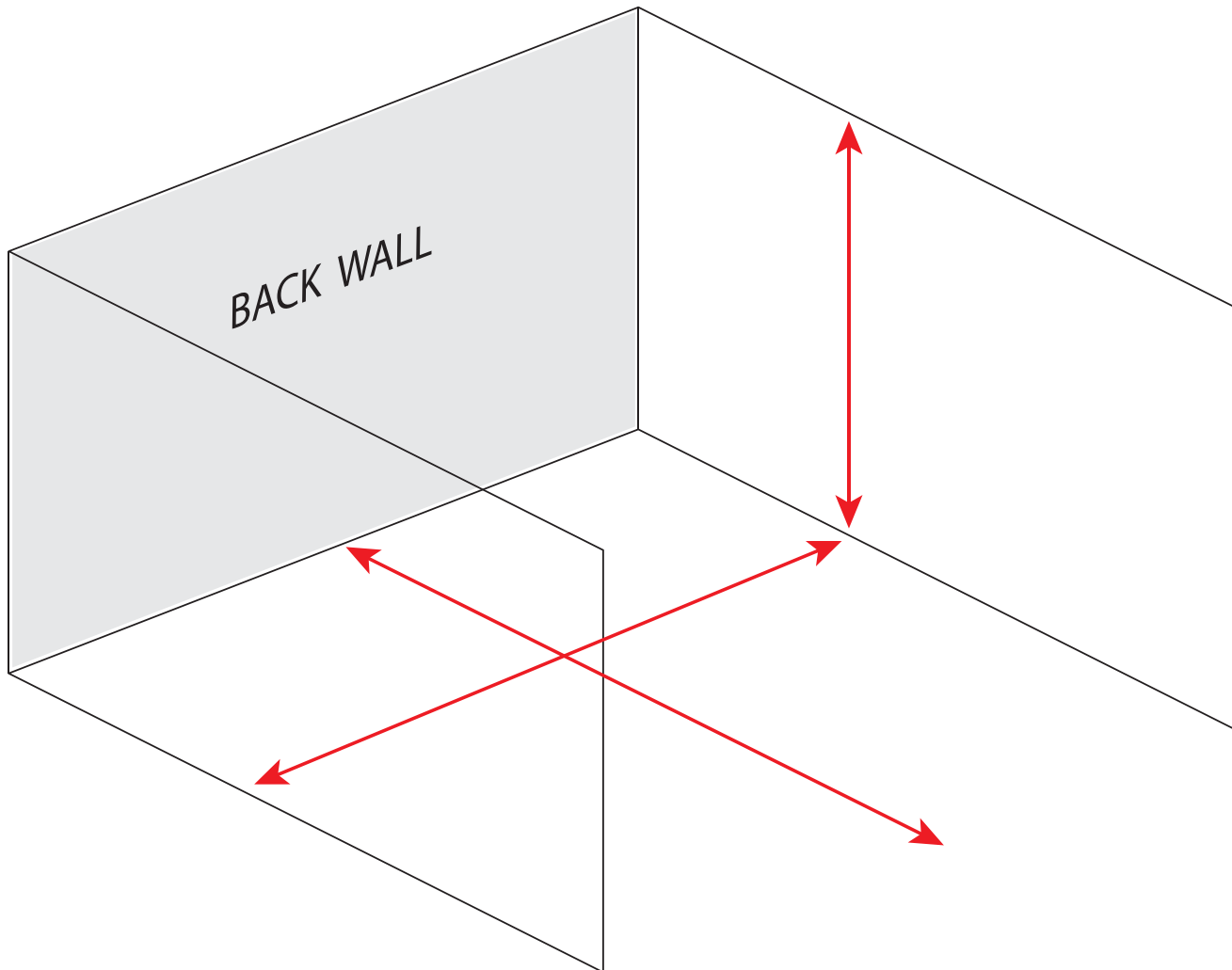


Pre-installation preparation work for the Foresight Sports Performance Simulator includes the following:

- Confirmation of the physical space **DIMENSIONS** for the Designated Simulation Area
- Assessment of **BACK WALL** structure
- Placement and Installation of the **PROJECTOR MOUNT**
- Placement and Installation of **PROJECTOR ELECTRICAL** service
- Placement and Installation of **CONDUIT** for video cords running from projector to computer
- Placement and Installation of **WALL ELECTRICAL** service for the computer that will run the Foresight Sports Simulation Software



CONFIRMATION OF SPACE DIMENSIONS



To properly and safely accommodate the Foresight Sports Performance Simulator, the intended area should have the following minimum dimensions:

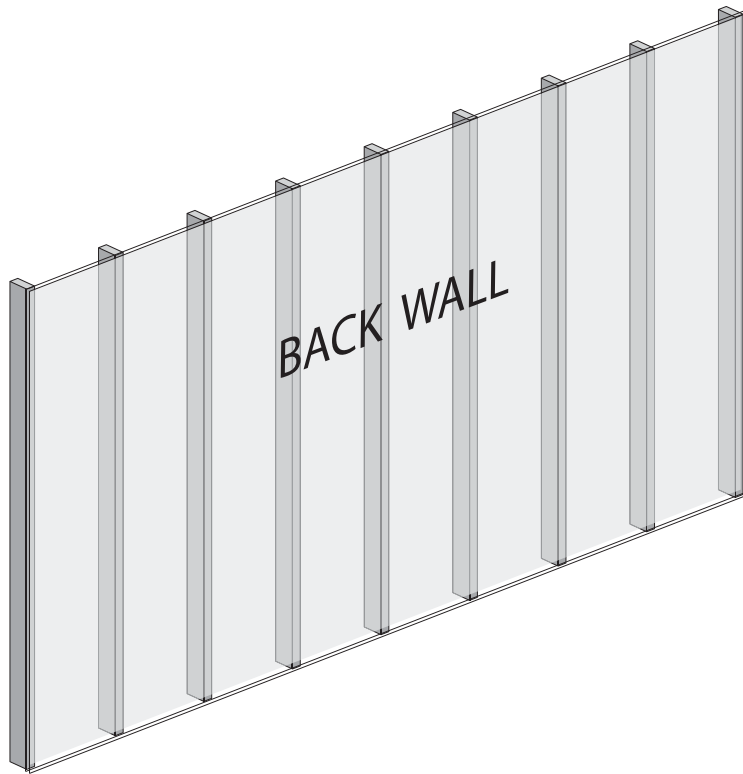
- A HEIGHT MINIMUM of: **12 FEET**
- A DEPTH MINIMUM of: **22 FEET**
- A WIDTH MINIMUM of: **16 FEET**

These minimum requirements insure that all proper components can be correctly installed and safely utilized.

PLEASE CONFIRM THESE ROOM DIMENSIONS PRIOR TO PROCEEDING.



BACK WALL ASSESSMENT



Back wall is made of:

wood stud with drywall

steel stud with drywall

cinder block / concrete

masonry / brick

other: _____

Depending on the nature of the simulation installation, the wall located directly behind the intended area for the simulation screen (**BACK WALL**) may be used for providing support and/or structural integrity to the simulation bay.

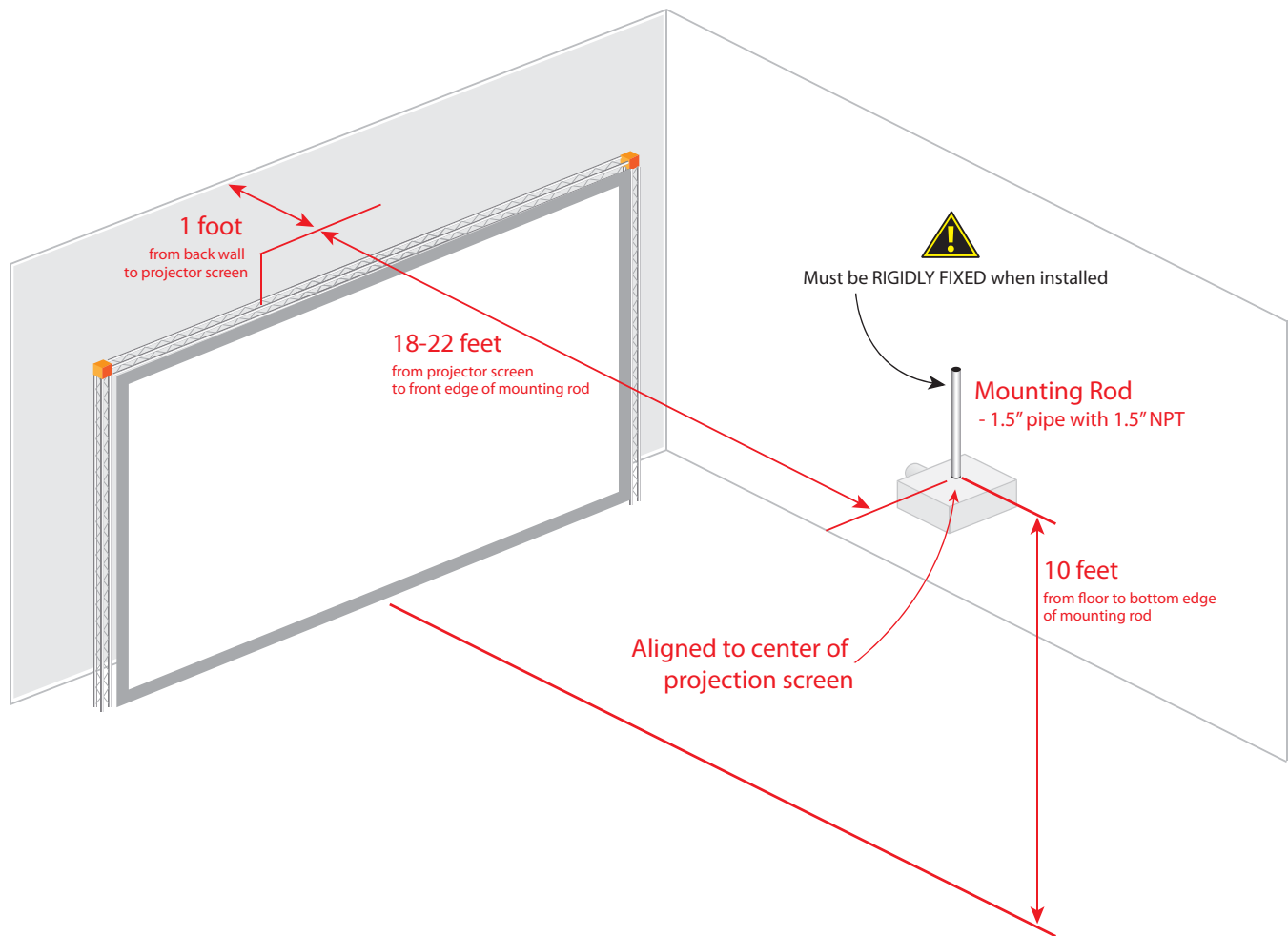
To properly and safely accommodate the Foresight Sports Performance Simulator, the back wall should be assessed for structural integrity.

PLEASE DETERMINE THE STRUCTURAL NATURE OF THE BACK WALL AND PROVIDE THIS INFORMATION TO FORESIGHT SPORTS PRIOR TO SIMULATOR INSTALLATION.



PROJECTOR MOUNT PLACEMENT & INSTALLATION

CEILING OPTION



Proper placement and installation of the **PROJECTOR MOUNT** is critical to the utilization, accuracy and safety of the Foresight Sports Performance Simulator.

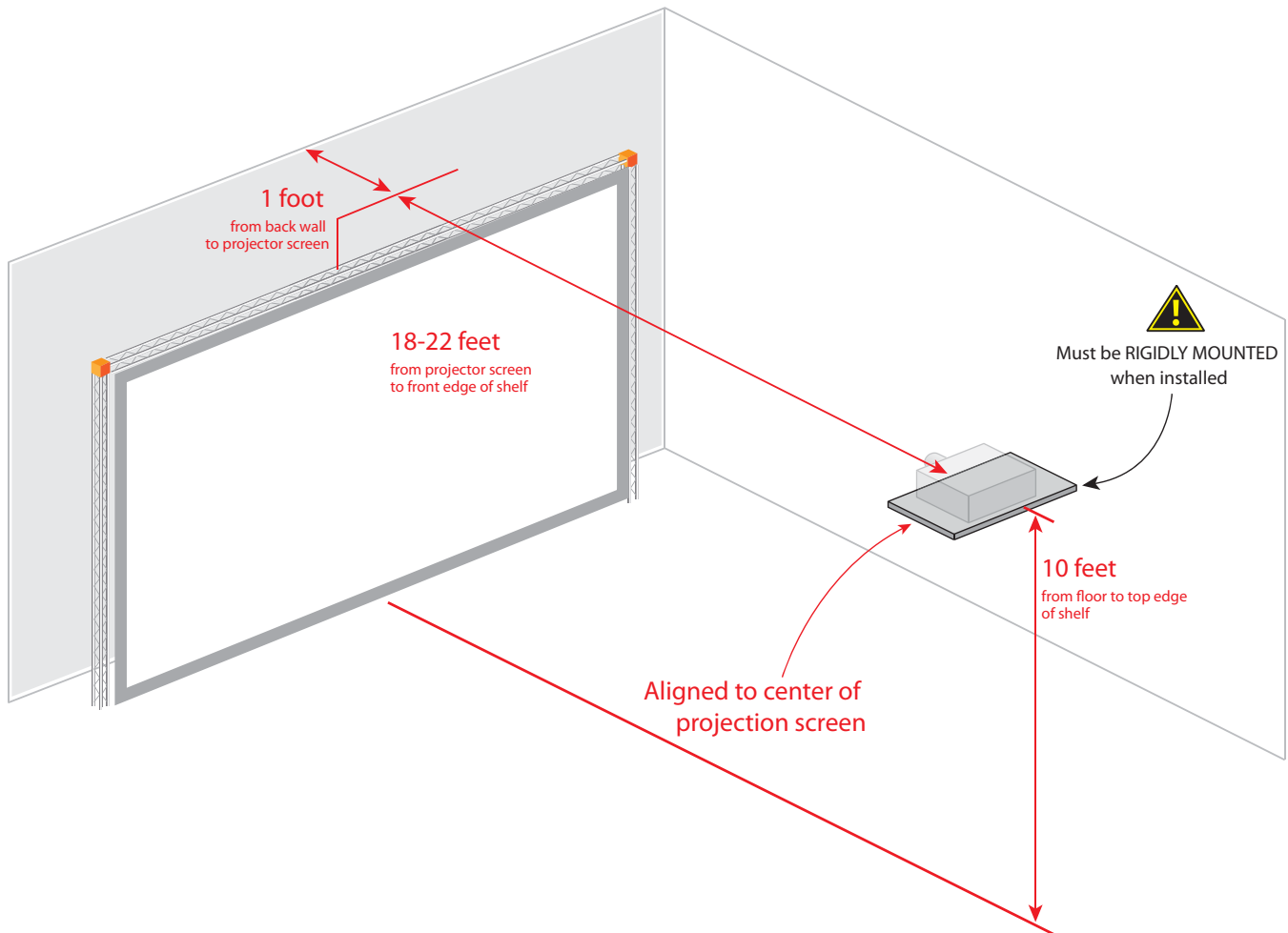
To properly **CEILING MOUNT** the projector being utilized (Foresight Sports suggested projector is strongly recommended):

- follow the measurements for placement shown above.
- utilize the appropriate mounting pipe -
1.5" PIPE with 1.5" NPT (NATIONAL PIPE THREAD)
- insure that the installed pipe is RIGIDLY MOUNTED and PERPENDICULAR (90°)
to the floor.



PROJECTOR MOUNT PLACEMENT & INSTALLATION

SHELF OPTION



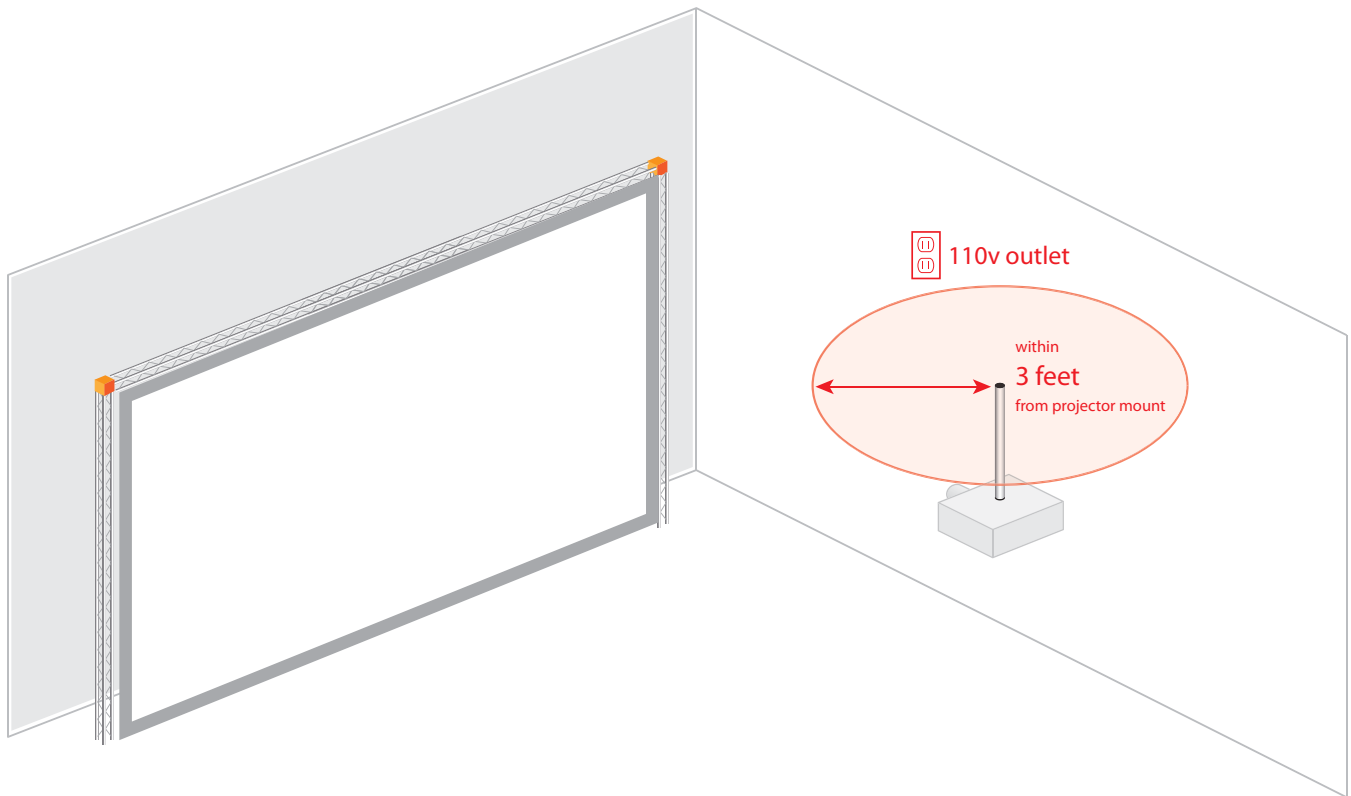
Proper placement and installation of the **PROJECTOR MOUNT** is critical to the utilization, accuracy and safety of the Foresight Sports Performance Simulator.

To properly SHELF MOUNT the projector being utilized (Foresight Sports suggested projector is strongly recommended):

- follow the measurements for placement shown above.
- utilize a structurally appropriate 24" wide by 18" deep shelf
- insure that the installed shelf is safely secured and level.

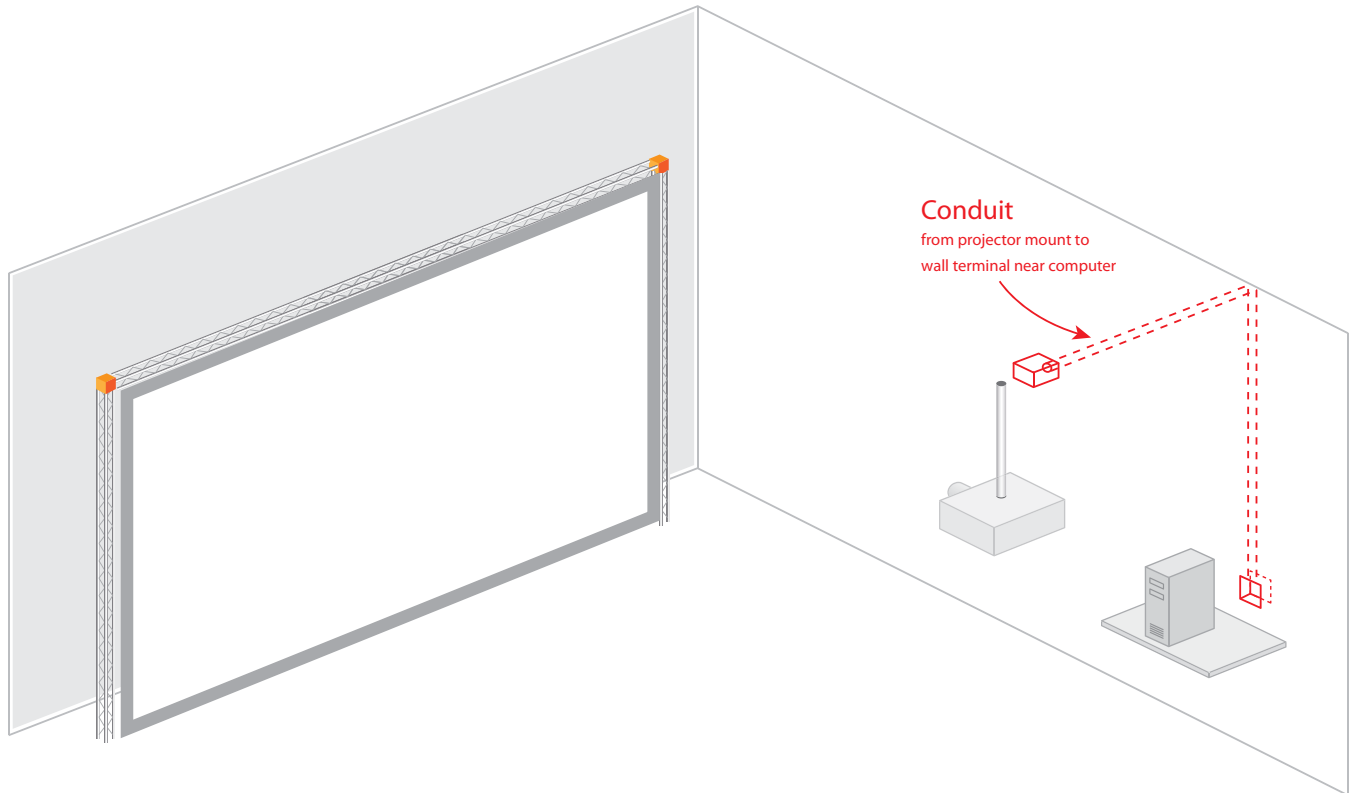


PROJECTOR ELECTRICAL NEEDS



The installed projector requires a 110v Outlet for power.

A standard 110v outlet is recommended within 3 FEET of the projector mount for optimal safety and operation.



To manage the DVI cables that connect the projector to the computer that will run the simulation software, a **CONDUIT LINE** is required.

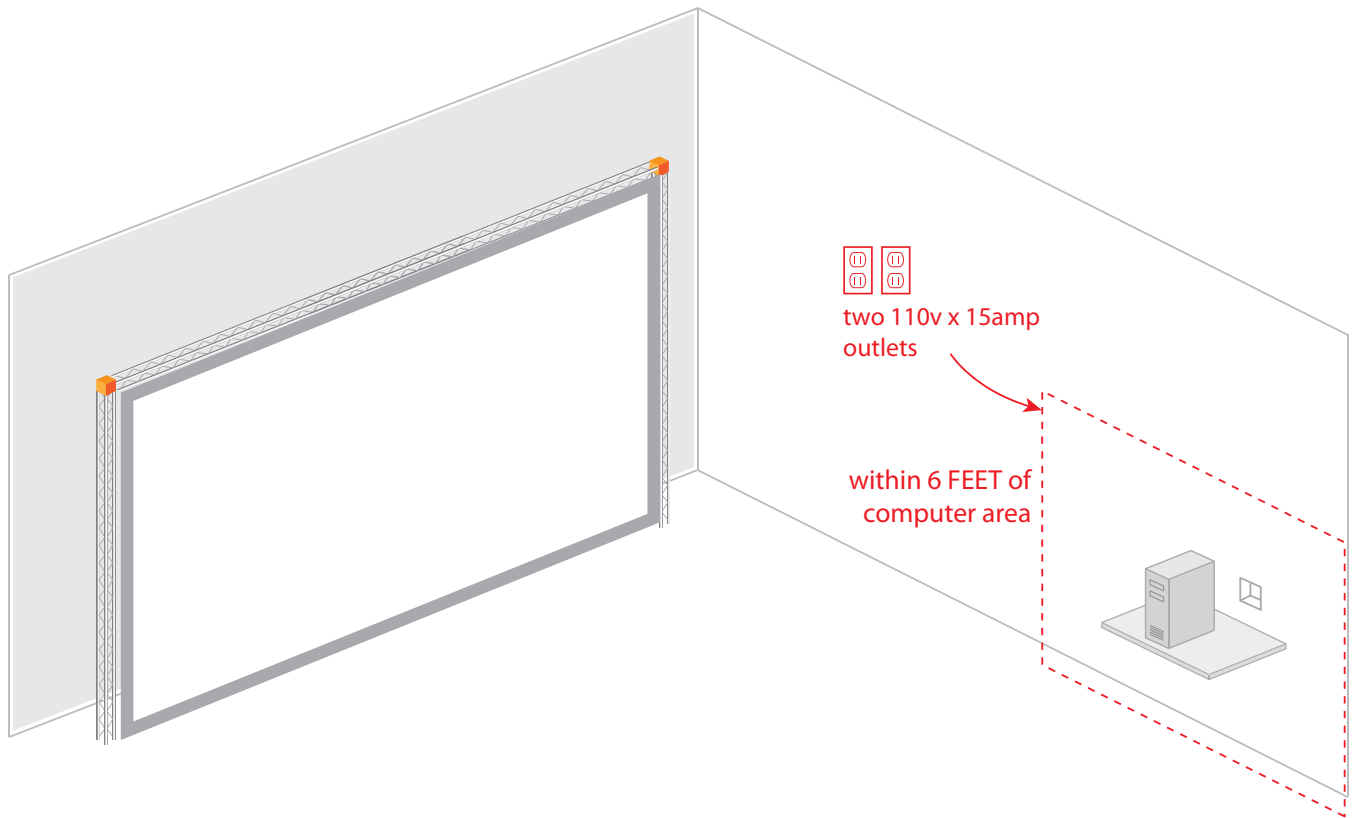
The conduit line should follow these guidelines:

- the conduit line should be at least **2" IN DIAMETER**
- the conduit line should terminate within **1 FOOT** of the projector mount and computer area.
- should not exceed more than **40 LINEAR FEET** in total length
- if installed within new construction, the conduit line should terminate in **4S TYPE JUNCTION BOXES** no smaller than 4x4" in width/height.

Junction boxes should accommodate a 2" conduit connection and fit within a 2x4 wall



COMPUTER ELECTRICAL NEEDS



The COMPUTER area requires two 110v x 15amp outlets for power.

These outlets are recommended within 6 FEET of the computer for optimal safety and operation.

PRE-INSTALLATION CHECKLIST

The following is a pre-installation checklist to ensure a quality installation. Please read the entire document carefully and sign and initials each item to confirm your compliance with the requirements.

FORESIGHT SPORTS MUST RECEIVE THIS ENDORSED (INITIALED AND SIGNED) CHECKLIST BEFORE YOUR INSTALLATION CAN BE SCHEDULED.

- Client has confirmed the dimensions of the dedicated installation space.
These dimensions are:
Space width = _____ ft _____ in
Space depth = _____ ft _____ in
Space height = _____ ft _____ in
- Client has attached a diagram and photographs of the dedicated installation space.
- Client acknowledges responsibility for the removal of any suspended ceilings, display stands or any items or protrusions located in the dedicated space where the booth is to be assembled, prior to the arrival of the Foresight Sports installer.
- Client understands that a dedicated internet connection to the simulator computer is required to receive online technical support.
- Client understands that a dedicated 110volt x 15amp x 2 outlet power circuit must be within 6 (six) feet of the proposed placement of the simulator computer.
- Client understands that the simulation components will be delivered up to one week prior to the scheduled installation date. The freight company will call with an estimated delivery time. The customer/site manager is responsible for unloading the freight. Delivery drivers generally do not assist in the unloading of freight.
- The Client/site manager will provide 2 sturdy 6 ft. ladders (225 lbs rating) and 1 labor assistant with the ability to lift 50 lbs overhead.
- The Client/site manager acknowledges responsibility for all trash removal related to the completed installation.

Customer Printed Name

Customer Signature

_____/_____/_____
Date

**PLEASE SIGN AND FAX THIS PAGE TO
FORESIGHT SPORTS AT 1-858-271-0017**

If you have any questions regarding the aforementioned, do not hesitate to contact Foresight Sports. We will do our very best to provide you with all the information you may need to make your installation a success.



Your game. Our focus.™